

Pool Fence Considerations When Designing Your Pool Area

Standards relating to pool fencing in Australia are strict and plentiful. Further, they sometimes vary from state to state causing considerable confusion. Many people fall into a costly trap when putting a pool on their property, because they have not considered – or are not aware of – pool fence laws governed by the Australian Standards. Curiously, and perhaps also quite annoyingly, the Australian Standards are not available to the public unless they pay for it!

So, we would like to give you a few tips here to minimise your costs and risks of being non-compliant when designing your new pool area.

Distance of pool fence from pool

Most people are aware that they must have a compliant fence around their pool of a minimum height (1.2 metres) to reduce the risk of young children entering the area and drowning. However, it is almost unknown that a pool fence must also meet the Australian wiring rule standards (AS 3000:2018) which states that metal objects within arm's reach (1.25 metres) of the pool edge must be Equipotential Bonded (earthed).

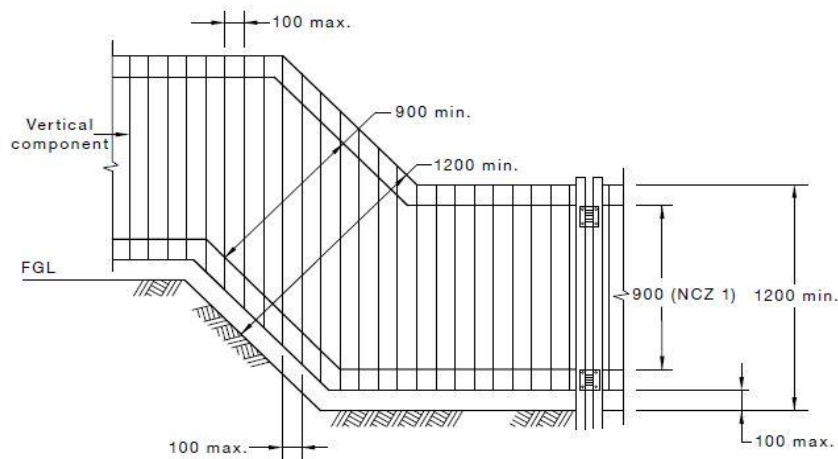
This means that if your (aluminium) pool fence is within 1.25 metres, you will need to engage a licensed electrician to assess the situation and then do the required work. Further, any work done *after* a fence has been installed may necessitate complicated and costly procedures.

How to navigate this and determine the correct solution is entirely dependent upon the interpretation of the Standard by the electrician, and then also by the inspector. Therefore, to avoid these complications and costs simply **ENSURE THAT YOUR FENCE IS MORE THAN 1.25 METRES FROM THE WATER'S EDGE.**

For further information about these requirements go [here](#).

Stairs

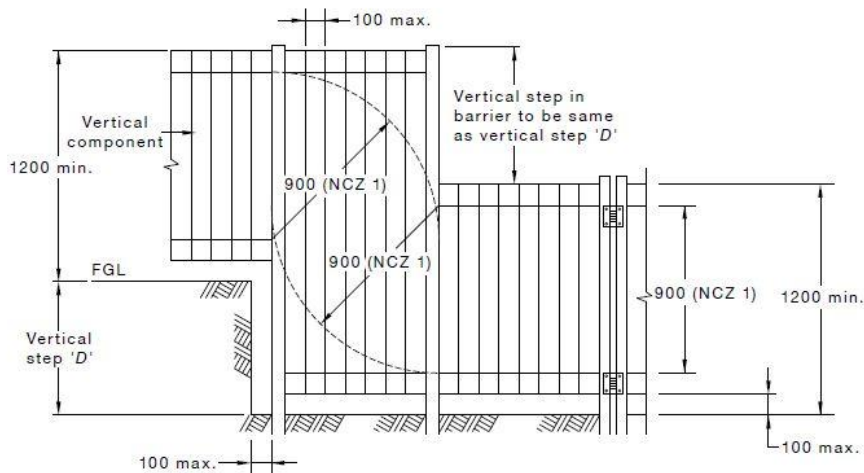
When stairs meet with the entrance to a pool fence area it will require you to have a certain design of the stair fence. This is because the standards (AS 1926.1:2012) require that the top of the pool fence must be a minimum of 1.2 metres from the nosing line (slope) of the stair. Further, there can be no gap under the fence and between the stair treads of more than 100mm which means that the stairs must be enclosed with a stringer (edge) or otherwise. The drawing below indicates this requirement.



To avoid complications and extra costs with your pool fence, **MINIMISE OR ELIMINATE STAIRWAYS ADJOINING YOUR POOL FENCE** wherever possible.

Level differences

Where ground levels vary within your pool area, the standards (AS 1926.1:2012) require that the “the integrity of all NCZs [No Climb Zones] shall be maintained”. See drawing below.



This means that with the Sentrel system (and any other system as well) you will require a special panel to comply, which will increase costs. Wherever possible, **MINIMISE OR ELIMINATE LEVEL DIFFERENCES IN YOUR POOL AREA DESIGN.**

Although by no means exhaustive, these are the main considerations when designing your pool area to minimise costs and complications.